

GENERAL CHARACTERISTICS

Mechanical level switch for liquids, designed for bypass mounting. In a transparent housing the magnet-equipped float follows the actual level of the liquid and magnetically triggers a reed switch in an identified and fixed position. One or two independent contacts are available.

• Bypass mounting

- Transparent housing
- 1 or 2 fixed switch points
- Stainless steel float and rod
- Maximum working pressure 8 Bar
- Operating ambient temperature -30 /+55 °C - 90% RH
- Maximum working temperature 75 °C
- Degree of protection IP65



Type NG1..1

Type NG1..2

TECHNICAL DATA

Tab.1

Type	Process connection Ø	DN	Float - S52 S.G.	Max. pressure Bar	Max. temperature °C	Switch point n.	Weight g
NG1..1	1/2"	015	> 0,75 g/cm ³	8	75	1	800
NG1..2	1/2"	015	> 0,75 g/cm ³	8	75	2	900

Female thread

N
1/2" NPT

Body materials

D	Glass
Anodized Aluminium	Acrylic

Float materials

S52	Rod
AISI-316	AISI-316

ELECTRICAL CONTACTS

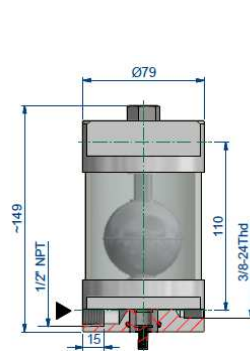
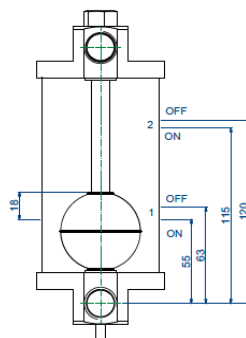
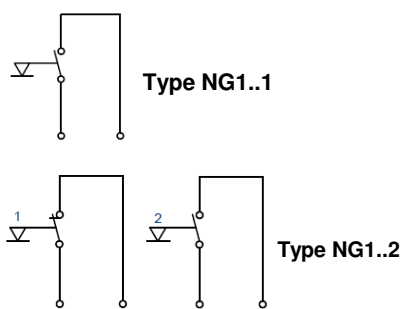
Tab.2

Reed switch	TYPE		VOLTAGE		CURRENT	
	NG1..1 = N.1	NG1..2 = N.2	AC	DC	AC	DC
SPST		4	250V	250	1,3A	1,3A

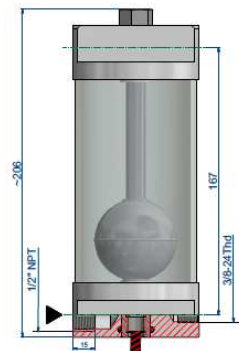
WIRING

Tab.3

DIMENSIONS mm.



Type NG1..1



Type NG1..2

NOMENCLATURE

NG1	015	N	D	2
•				
	•			
		•		
			•	
				•

	Type
Tab.1	Process connection dimension
Tab.1	Process connection thread NPT
Tab.1	Body material
Tab.3	Number of contacts - wiring